

BASE CONDITIONS

GB4100 - BASE TRIM AT BASE ANGLE

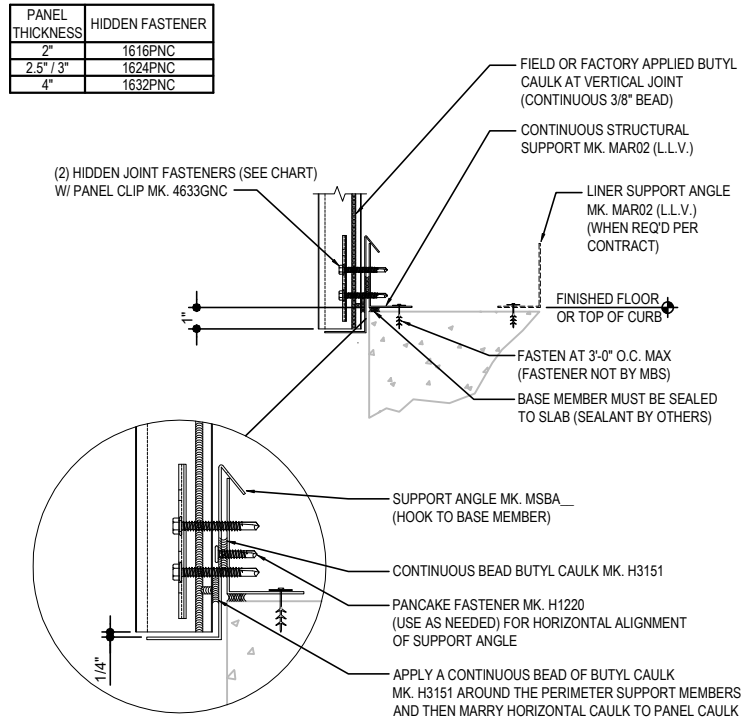
GB4110 - BASE TRIM AT BASE CHANNEL

GB4200 - BASE TRIM AT CONCRETE NOTCH WITH BASE ANGLE

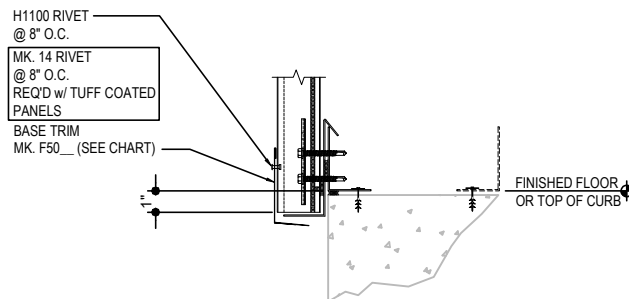
GB4210 - BASE TRIM AT CONCRETE NOTCH WITH BASE CHANNEL

GB4100 - BASE TRIM AT BASE ANGLE

[Download the DWG file by clicking here.](#)



PANEL THICKNESS	BASE TRIM
2"	F5076
2.5"	F5077
3"	F5079
4"	F5080



BASE TRIM DETAIL
BASE TRIM WITH BASE ANGLE

GB4100

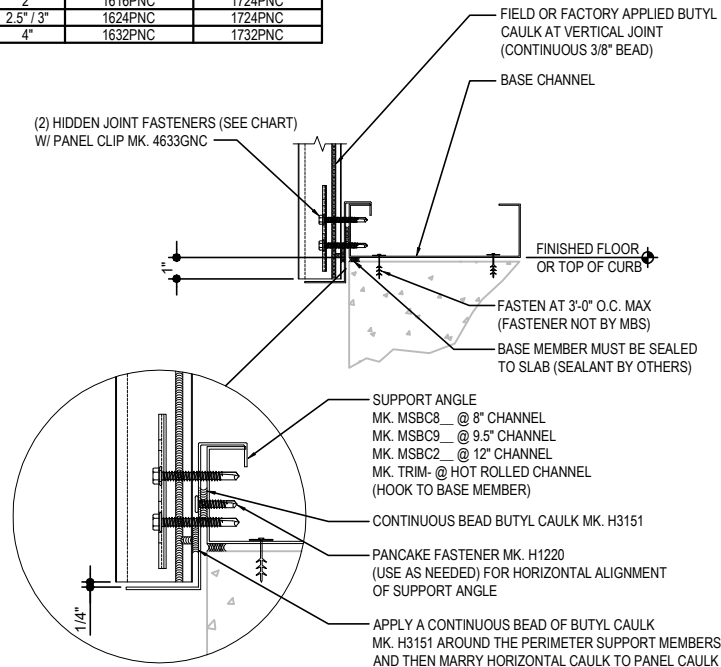
Detailer Notes:

- 1) N/A

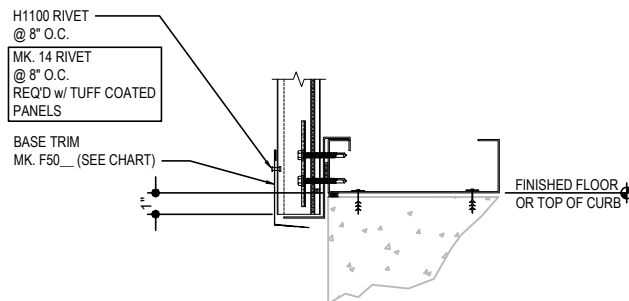
GB4110 - BASE TRIM AT BASE CHANNEL

[Download the DWG file by clicking here.](#)

PANEL THICKNESS	COLD FORM HIDDEN FASTENER	HOT ROLLED HIDDEN FASTENER
2"	1616PNC	1724PNC
2.5" / 3"	1624PNC	1724PNC
4"	1632PNC	1732PNC



PANEL THICKNESS	BASE TRIM
2"	F5076
2.5"	F5077
3"	F5079
4"	F5080



BASE TRIM DETAIL

BASE TRIM WITH BASE CHANNEL

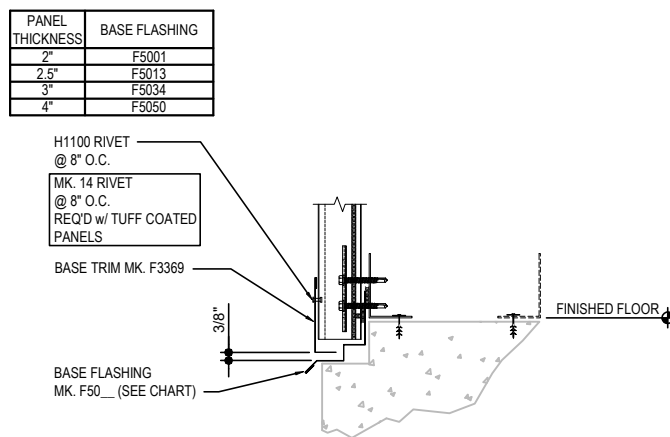
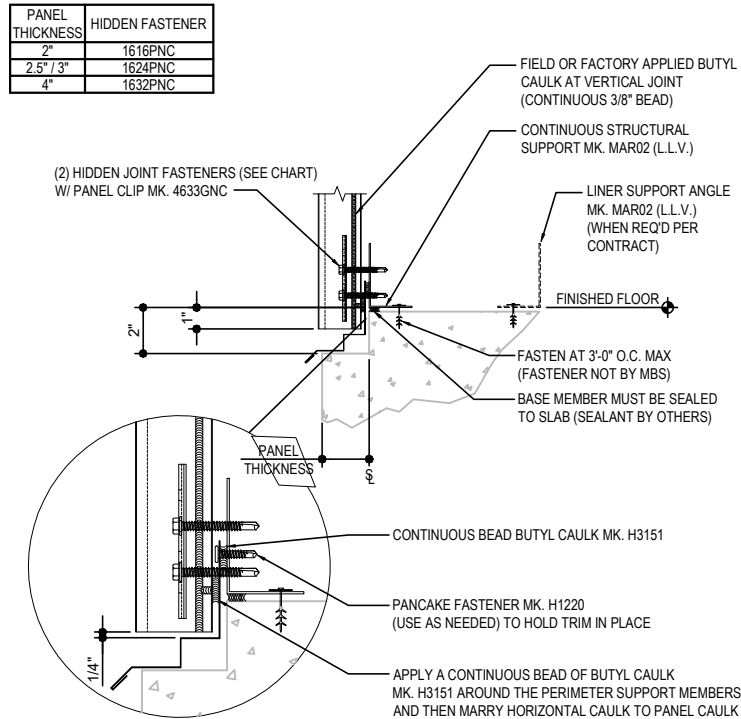
GB4110

Detailer Notes:

- 1) N/A

GB4200 - BASE TRIM AT CONCRETE NOTCH WITH BASE ANGLE

[Download the DWG file by clicking here.](#)



BASE TRIM DETAIL
BASE TRIM WITH BASE ANGLE AT CONCRETE NOTCH

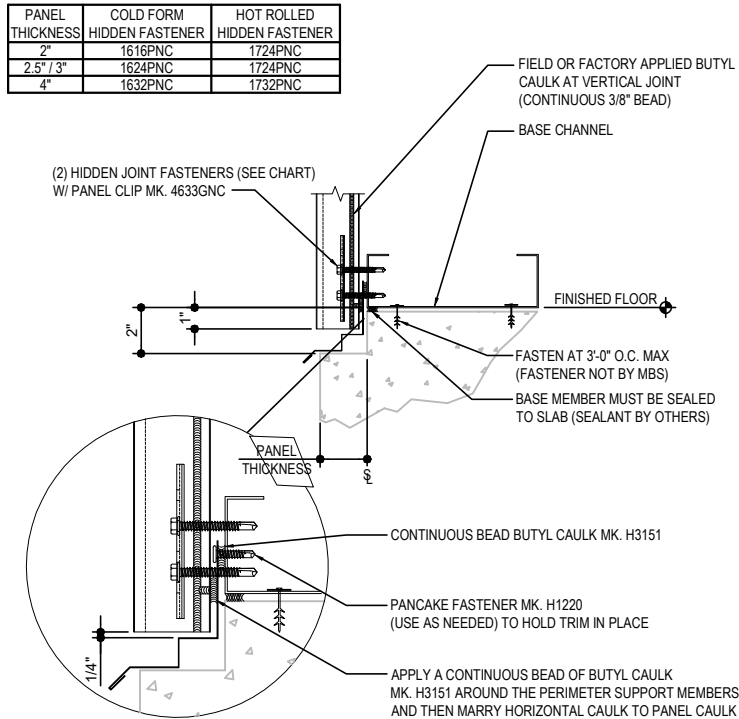
GB4200

Detailer Notes:

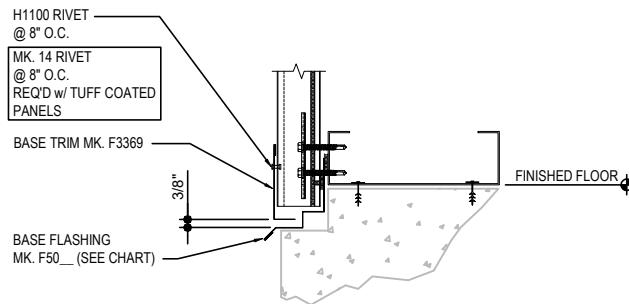
- 1) N/A

GB4210 - BASE TRIM AT CONCRETE NOTCH WITH BASE CHANNEL

[Download the DWG file by clicking here.](#)



PANEL THICKNESS	BASE FLASHING
2"	F5001
2.5"	F5013
3"	F5034
4"	F5050



BASE TRIM DETAIL
BASE TRIM WITH BASE CHANNEL AT CONCRETE NOTCH

GB4210

Detailer Notes:

- 1) N/A